

Front Wheel Arch Liner, Remove and Install



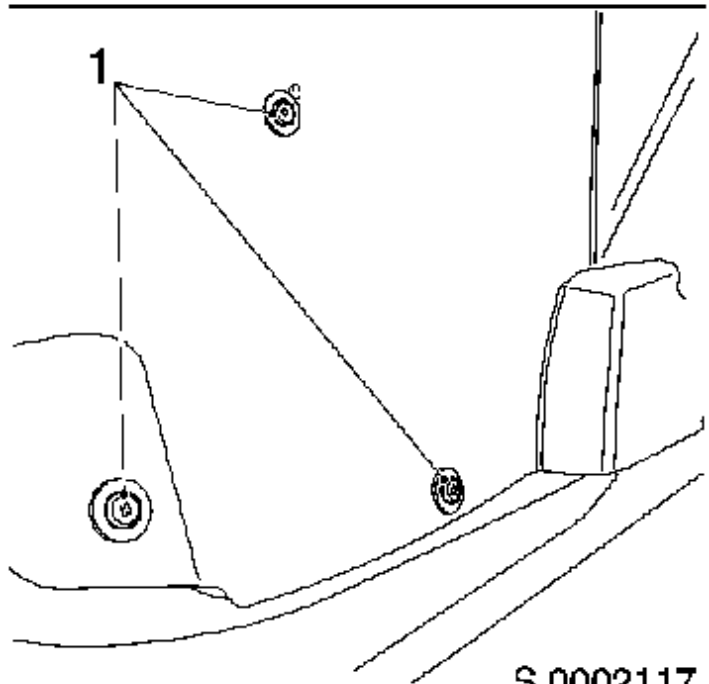
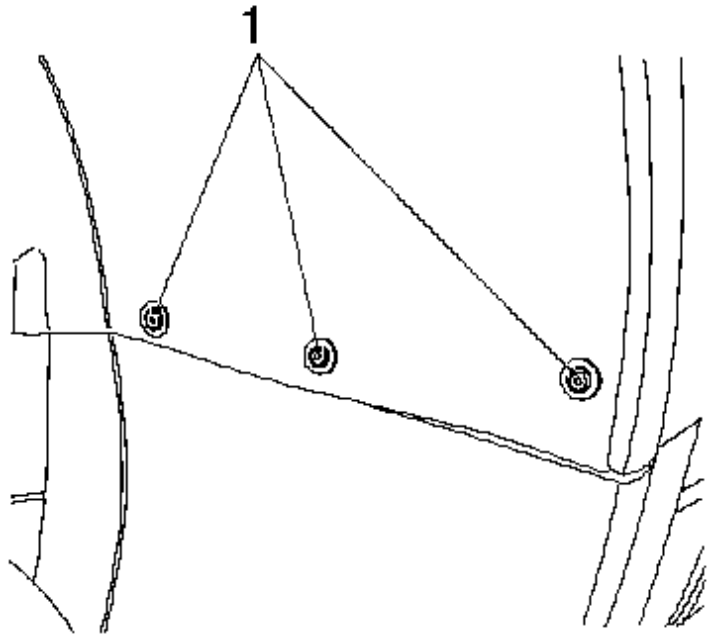
Remove

1. Secure rear wheels using chocks
2. Open engine cover
3. Detach fuse box from right-hand wheel arch liner if necessary
4. Raise and support vehicle
5. Remove front wheel
 - Remove 4 bolts, remove the security bolt
 - Use special socket under front bonnet
6. Remove wheel arch liner
 - Remove 6 screws (1)



Install

7. Install wheel arch liner
 - Install 6 screws (1)



S 0002117

8. Install front wheel
 - Install 4x bolt, security bolt **90 Nm**
9. Remove support and lower the vehicle
10. Install fuse box on right-hand wheel arch liner
11. Close front bonnet
12. Remove chocks